

# PRODUCT INFORMATION PACKET



Model No: 5KH36LNA504  
Catalog No: 5KH36LNA504  
General Purpose Motor, 0.50 HP, 1 Ph, 60 Hz, 115 V, 1800 RPM, 48 Frame, DP



Regal and Leeson are trademarks of Regal Rexnord Corporation or one of its affiliated companies.  
©2024 Regal Rexnord Corporation, All Rights Reserved. MC017097E





**Nameplate Specifications**

Phase	1	Output HP	0.50 Hp
Output KW	0.37 kW	Voltage	115 V
Speed	1725 rpm	Service Factor	1
Frame	48	Enclosure	Drip Proof
Thermal Protection	No Protection	Efficiency	62 %
Ambient Temperature	40 °C	Frequency	60 Hz
Current	8.3 A	Power Factor	0
Duty	Continuous	Insulation Class	B
KVA Code	P	Drive End Bearing Size	6203
Opp Drive End Bearing Size	6203	UL	Recognized
CSA	Yes	CE	N
Number of Speeds	1		

**Technical Specifications**

Electrical Type	Split Phase	Starting Method	SM
Poles	4	Rotation	Counterclockwise/Clockwise
Mounting	Rigid Base	Motor Orientation	ANY
Drive End Bearing	BALL	Opp Drive End Bearing	Ball
Frame Material	Rolled Steel	Overall Length	9.68 in
Frame Length	6.22 in	Shaft Diameter	0.500 in
Shaft Extension	1.5 in		
Connection Drawing	52A105377AA	Outline Drawing	52A109377P1

This is an uncontrolled document once printed or downloaded and is subject to change without notice. Date Created:09/18/2024

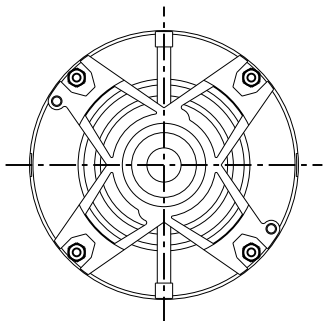
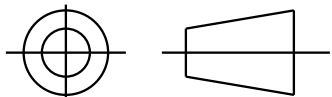
RBC PROPRIETARY AND CONFIDENTIAL INFORMATION

This document is the property of REGAL BELOIT CORPORATION ("RBC") including its subsidiaries and divisions and contains proprietary information of RBC. This document is loaned on the express condition that neither it nor the information contained therein shall be disclosed to others without the express written consent of RBC, and that the information shall be used by the recipient only as approved expressly by RBC. This document shall be returned to RBC upon its request. This document may be subject to certain restrictions under U.S. export control laws and regulations.

REVISIONS

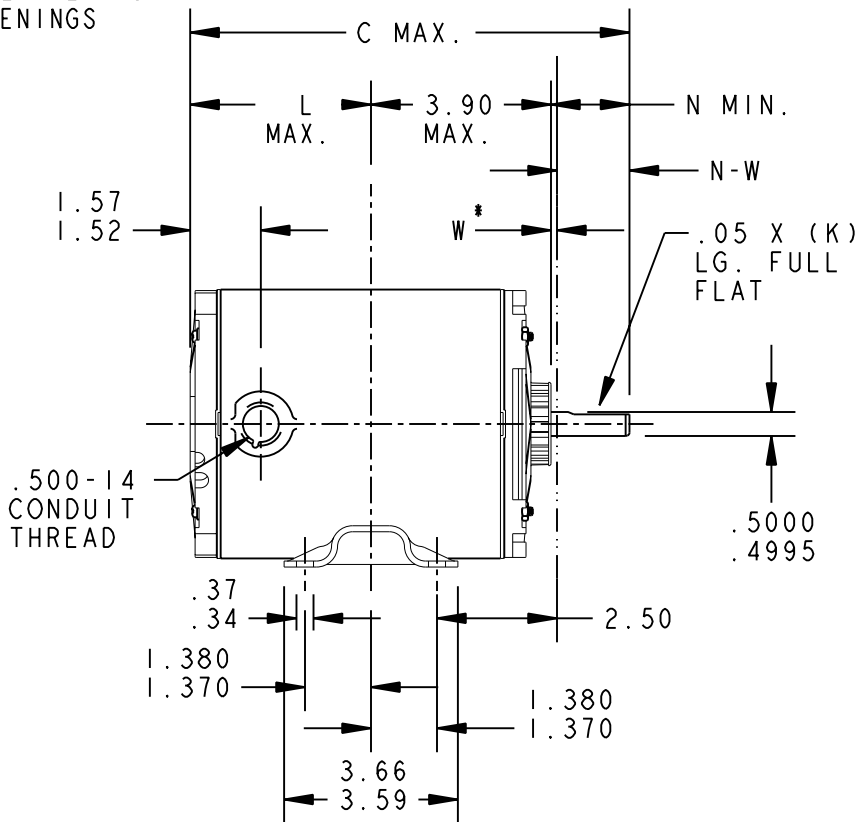
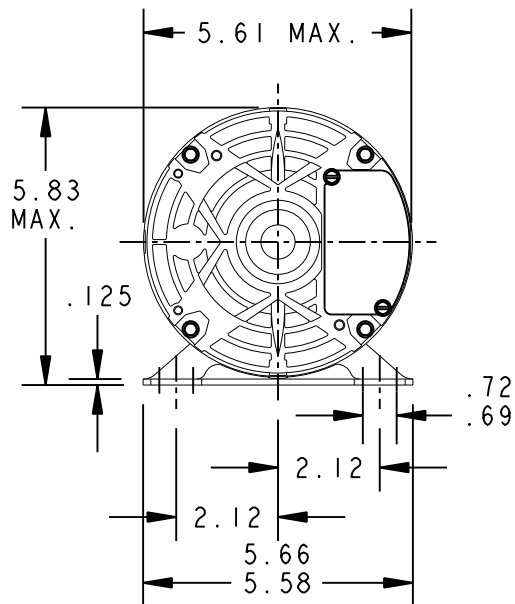
REV.	DESCRIPTION	DATE	APPROVED
1	ADDED "CONTINUED FROM---".	05/15/95	M.D.PAPE
2	ADDED PARTS #2-#6.	08/09/95	M.D.PAPE
3	UPDATED AS PER IS05-2229	09/21/05	PRAVEEN.K

THIRD ANGLE PROJECTION



VIEW SHOWING P.E. VENTILATION OPENINGS

W\* IS A CLEARANCE DUE TO VARIATION IN PARTS AND ASSEMBLY.



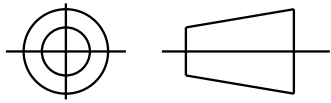
6	K	KH	38	48	10.68	1.16	5.22	1.50	1.63/1.41	7.22
5	K	KH	37	48	10.08	1.16	4.62	1.50	1.63/1.41	6.62
4	K	KH	35	48	9.25	1.16	3.79	1.50	1.63/1.41	5.79
3	K	KH	33	48	8.87	1.16	3.41	1.50	1.63/1.41	5.41
2	K	KH	32	48	8.62	1.16	3.16	1.50	1.63/1.41	5.16
1	K	KH	36	48	9.68	1.16	4.22	1.50	1.63/1.41	6.22
P	TYPE	GE SIZE	NEMA FR	C	K	L	N	N-W	SHELL REF.	

CONTINUED FROM 52A102336

FOR ADDITIONAL INFO REFER TO:	SIGNATURES	DATE		<b>REGAL-BELOIT CORPORATION</b>
APPLIED PRACTICES	MODEL			
DIMENSIONS ARE IN INCHES	DETAIL	MA MARKS	12/14/93	<b>OUTLINE</b> <b>FORM N - GENERAL PURPOSE MOTOR - DRIP PROOF</b> <b>WELDED BASE - BALL OR SLEEVE BEARING</b>
TOLERANCE ON:	CHECKED			
1 PL DECIMALS ± 0.1	ENGRG			
2 PL DECIMALS ± 0.02	MFG			
3 PL DECIMALS ± 0.005	QUALITY			SIZE DRAWING
ANGLES ± 1.0	ISSUED	M.A.M.	12/14/93	<b>52A109377</b>
FRACTIONS ±				REV <b>3</b>
FINISH ✓	SOLID MODEL: 52A109377			SCALE: 1.000 REF. No: SHEET 1 of 1

SHEET 1  
 REV 1  
 SIZE DRAWING NO. 52A105377AA  
 A

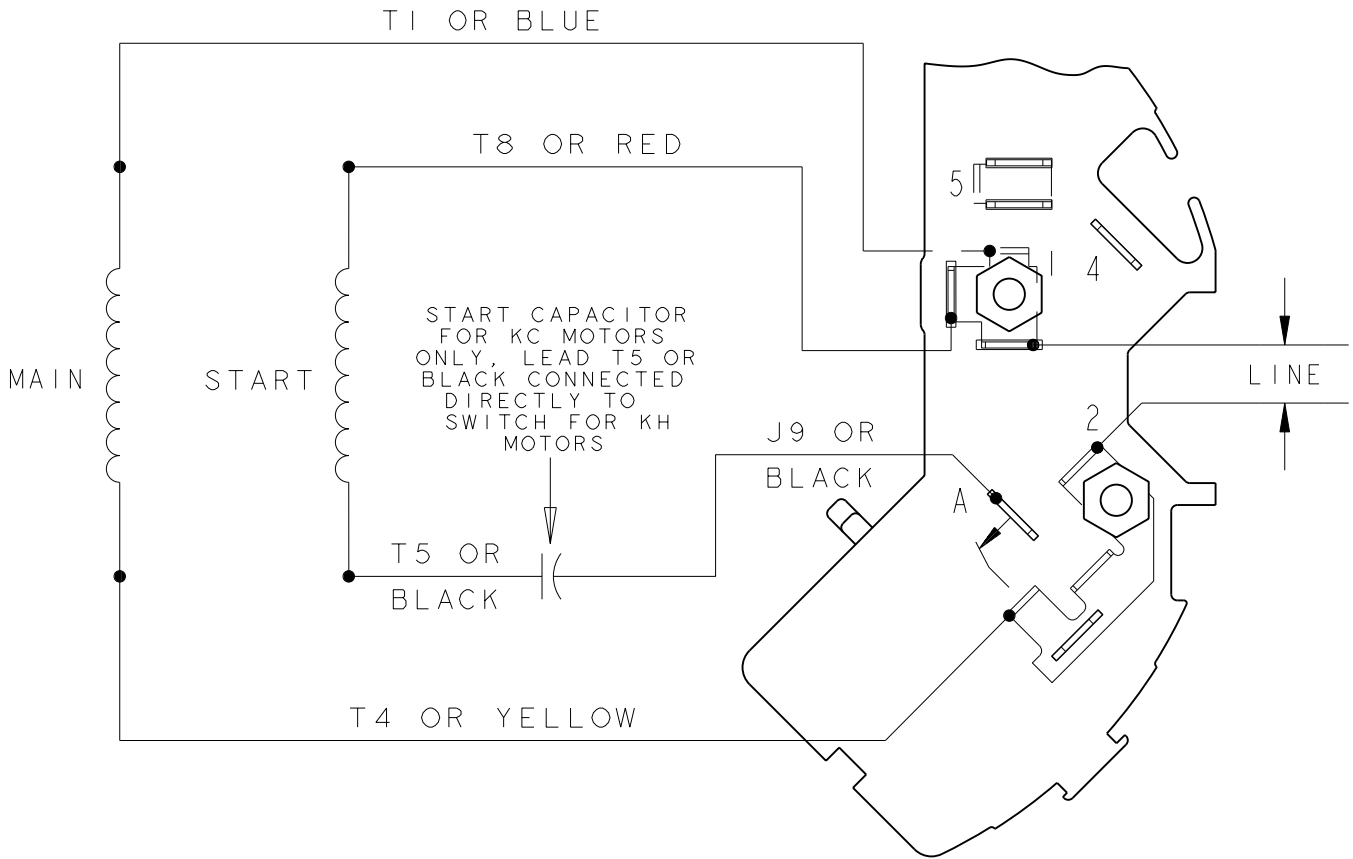
THIRD ANGLE PROJECTION



REVISIONS

REV.	DESCRIPTION	DATE	APPROVED
1	UPDATED FORMAT	11/10/05	MAM

EITHER ROTATION - SINGLE VOLTAGE  
TYPE KC, OR KH



NOTE #1 - TO REVERSE ROTATION INTERCHANGE BLACK (T5-KH OR J9-KC) AND RED (T8) LEADS.

NOTE #2 - WHEN MORE THAN ONE CAPACITOR IS USED CONNECT IN PARALLEL.

REF. DIAG. - 121A850		SWITCH (C) - 115D958AB	
CONNECTION LABEL - 52X332047			
SIGNATURES	DATE	<b>REGAL-BELOIT CORPORATION</b> <b>CONNECTION DIAGRAM</b> <b>FMF: 30 FRAME SWITCH REDESIGN</b>	
MODEL M.D. PAPE	06/29/87		
DETAIL	.		
CHECKED	.		
ENGRG	.		
MFG	.		
FOR ADDITIONAL INFO REFER TO:	QUALITY	SIZE DRAWING	REV
APPLIED PRACTICES	ISSUED M.D.P.	A	1
DIMENSIONS ARE IN INCHES ✓	06/29/87	<b>52A105377AA</b>	
MATERIAL	SOLID MODEL: 52A105377AA	SCALE: 1.000	SHEET 1 of 1